

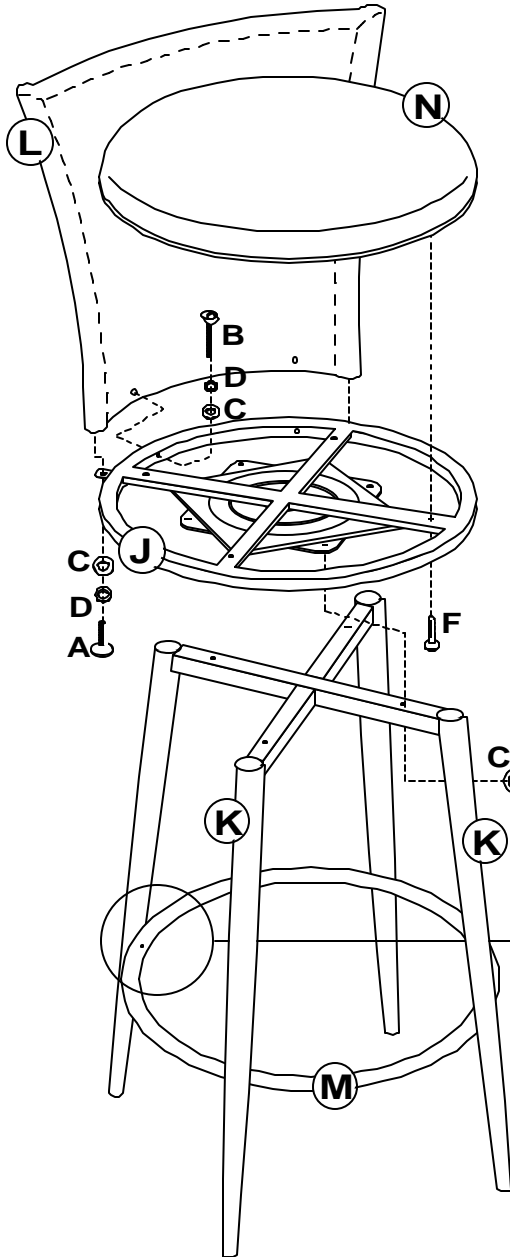
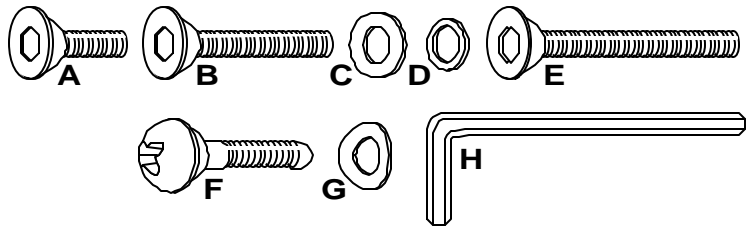
Examine all packaging material for small parts that may have come loose during shipment. Periodic checks are recommended to insure that all components are in proper position, tight and free from damage. Keep this assembly instruction for future reference. Adult assembly required. Online Parts Request Form: [www.hillsdalehouse.com/parts\\_request.html](http://www.hillsdalehouse.com/parts_request.html)

**HARDWARE LIST**

- A (3) Short Allen Bolts
- B (6) Medium Allen Bolts
- C (9) Metal Washers
- D (13) Spring Washers
- E (4) Long Allen Bolts
- F (4) Wood Screws
- G (4) Camber Washers
- H (1) Allen Wrench

**PARTS LIST**

- J (1) Seat Base Ring
- K (2) Leg Panels
- L (1) Stool Back
- M (1) Support Ring
- N (1) Seat Cushion



**STEP 1**

Begin assembly by first attaching both Leg Panels (K) together. Attach Support Ring (M) to the inside of each leg panel, using 1 Medium Allen Bolt (B), 1 Spring Washer (D) & 1 Camber Washer (G) per each leg. Tighten all bolts using Allen Wrench (H) provided.

**STEP 2**

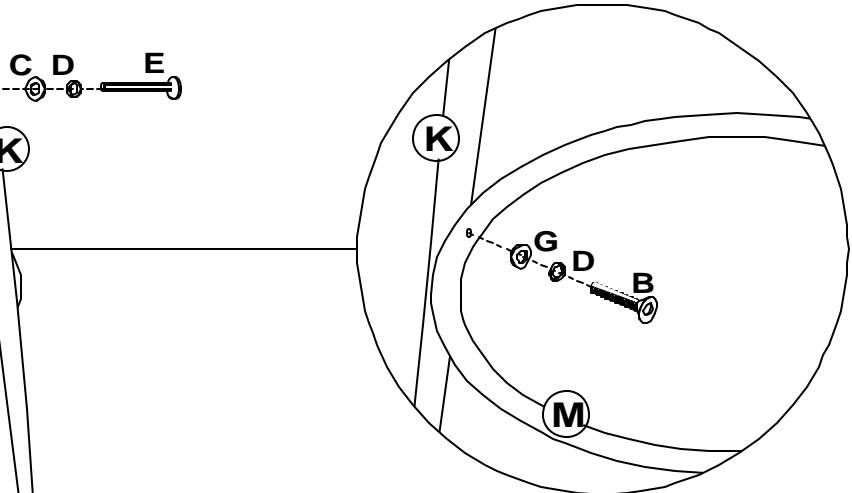
Next, attach Stool Back (L) to Seat Base Ring (J), using 1 Short Allen Bolt (A), 1 Spring Washer (D) & 1 Metal Washer (C) per each outer tab and into bottom of stool back. Also, use 1 Medium Allen Bolt (B), 1 Spring Washer (D) & 1 Metal Washer (C) per each inner pre-drilled hole on base ring and into front bottom side of stool back. Tighten all bolts using Allen Wrench (H) provided.

**STEP 3**

Attach Seat Base Ring (J) to each Leg Panel (K), using 1 Long Allen Bolt (E), 1 Spring Washer (D) & 1 Metal Washer (C) per each pre-drilled hole on top of leg panels. Tighten all bolts using Allen Wrench (H) provided.

**STEP 4**

Finally, attach Seat Cushion (N) to Seat Base Ring (J), using 4 Wood Screws (F) to hold tight in place. Only use a phillips head screwdriver (not included) to tighten screws as power tools may result in damage to the hardware. The assembly is now complete.



**CARE & MAINTENANCE:** The touch of a soft cloth is all the maintenance the finish will ever need. Please do not use harsh or abrasive cleaners for polishing, as they may cause damage to the finish. Periodic checks are recommended to make sure that all bolts, screws and nuts are securely tightened.