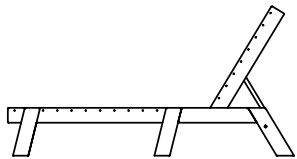


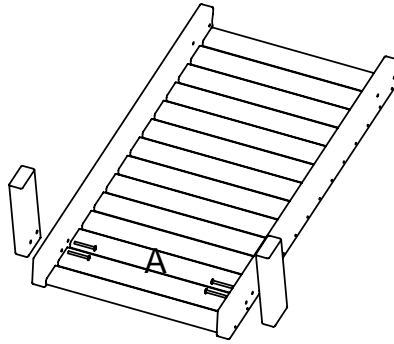


Assembly Instructions
Model:CH7826-1

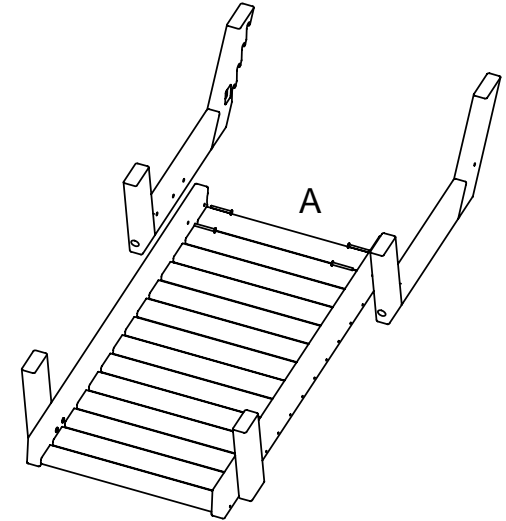
- (2) Sideframes
- (1) Back
- (1) Metal brace
- (1) Seat
- (2) Front legs
- (1) Brace
- (1) Hardware pack



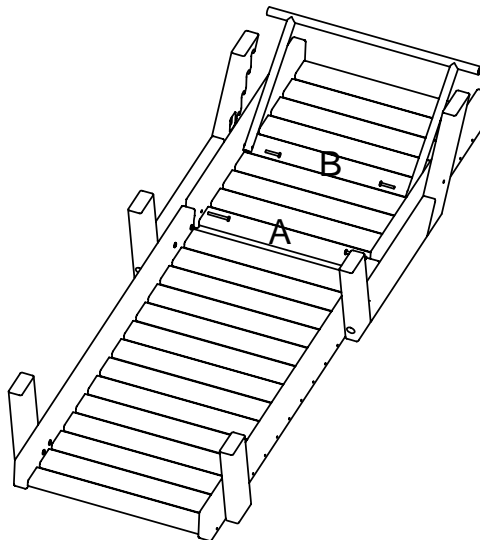
Step 1
Attach Front legs to Seat assembly using
(4) 2¼" Chair bolts



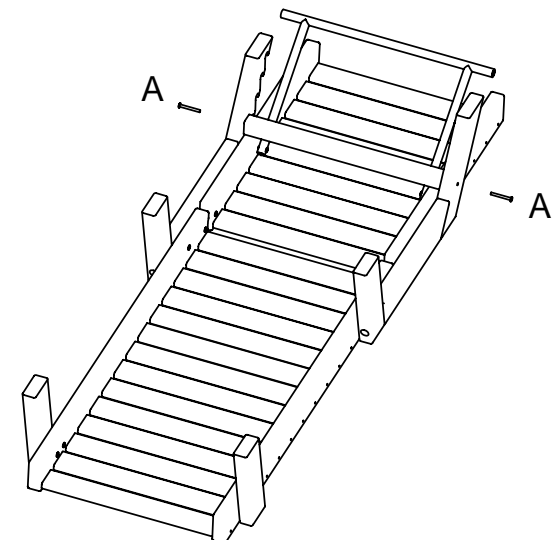
Step 2
Attach Sideframes to Seat assembly using
(4) 2¼" Chair bolts



Step 3
Attach Back assembly to sideframes using
(2) 2¼" Chair bolts
Attach Metal brace to Back assembly using
(2) 1½" Chair bolts



Step 4
Attach brace to sideframes using
(2) 2¼" Chair bolts



TOOLS NEEDED

5/32" HEX KEY: INCLUDED

Qty.	Description
12	A - 2¼" Chair Bolt
2	B - 1½" Chair Bolt

All bolts 1/4-20