



# AVS-622

## ASSEMBLY INSTRUCTIONS

**Bell'O International, LLC**  
 711 Ginesi Drive  
 Morganville, NJ 07751-1235  
 Customer Service: (888) 235-7646  
 E-mail: support@bello.com  
 Web: www.bello.com

**NOTE: Two people are recommended to assemble this unit.**

- 1 x Ordering part # **MH009**  
Item # **ALLEN WRENCH**
- 2 x Ordering part # **VTAC 098**  
Item nr. **11**
- 4 x Ordering part # **VTAC 078**  
Item nr. **6**
- 4 x Ordering part # **FVPL 005**  
Item nr. **13**
- 6 x Ordering part # **GZGM 009**  
Item nr. **14**
- 3 x Ordering part # **PDPL 029**  
Item nr. **12**
- 6 x Ordering part # **PDPL 021**  
Item nr. **7**
- 2 x Ordering part # **FVPL 006**  
Item nr. **8**

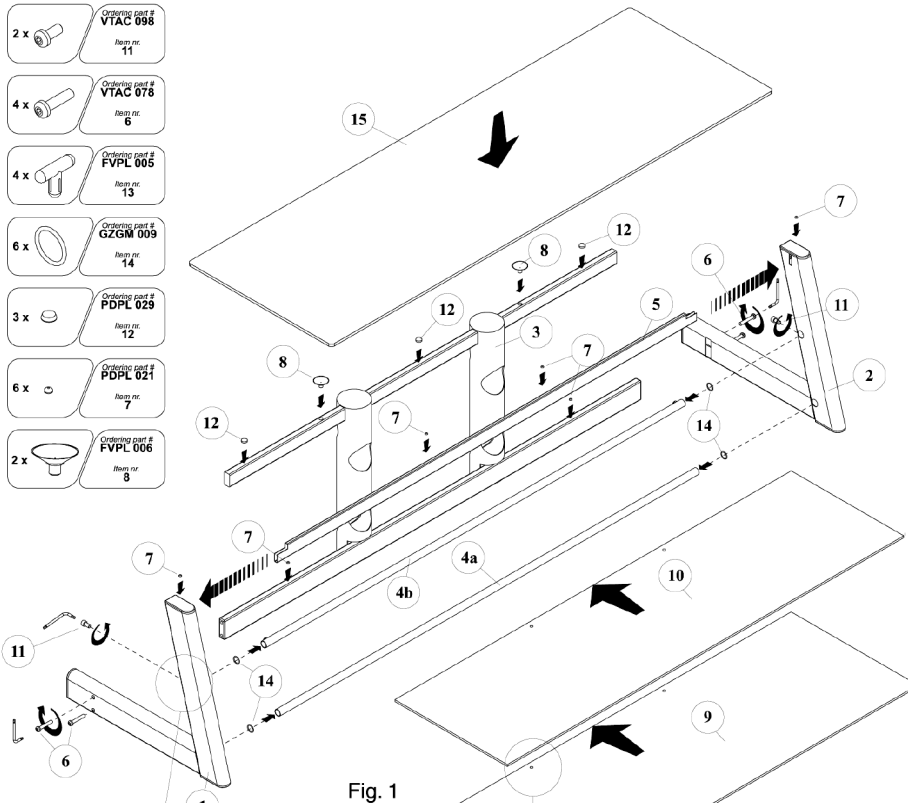


Fig. 1

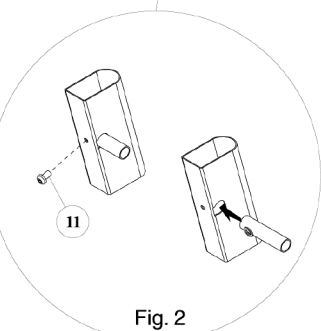


Fig. 2

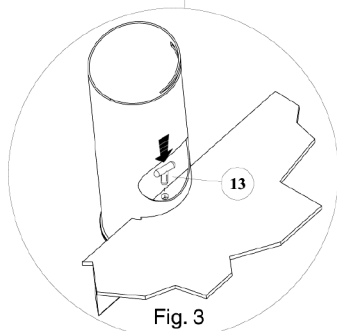


Fig. 3

- A. PLACE the rear CMS® (Cable Management System) post (3) upright on the floor with the shelf slots facing towards the front as shown in Fig. 1.
- B. ALIGN the two holes located on the lower rear support bar ends of the CMS® post with the matching holes located towards the rear of the bottom LEFT side frame (1). INSERT two long screws (6) and SECURE the side frame (1) to the CMS® post bar (3) using the supplied Allen wrench, as shown in Fig. 1. DO NOT FULLY TIGHTEN THE SCREWS.
- C. SELECT the round shelf support bar (4b), identified by the threaded metal inserts located near both ends. PLACE three "O" rings (14) onto the ends of the round shelf support bar (4b) and space them out evenly along the whole length of the support bar. INSERT support bar (4b) into the hole located in the middle of the upright portion of the inside LEFT side frame (1), making sure that the threaded insert is facing towards the rear of the table and is ALIGNED with the hole in the rear of the LEFT side frame. SECURE it to the LEFT side frame, from the rear, using one short screw (11) and the supplied Allen wrench, as shown in Fig. 2. DO NOT FULLY TIGHTEN THE SCREW.
- D. PLACE three "O" rings (14) onto the ends of the second round shelf support bar (4a) (the one without the threaded inserts) and space them out evenly along the whole length of the support bar. INSERT the second round shelf support bar (4a), into the hole located on the upright portion of the inside bottom of the LEFT side frame (1). INSERT the upper front support bar (5) into the cut out slot located on top of the LEFT side frame so that the notches at the end of the bar are facing up as shown in Fig. 1.
- E. REPEAT steps B, C and D above for the RIGHT side frame (2). DO NOT FULLY TIGHTEN THE SCREWS.
- F. GO BACK AND FULLY TIGHTEN all of the screws to secure the side frames (1) and (2) and the CMS® post bar (3) using the supplied Allen wrench.
- G. PLACE the smaller glass pads (7) onto the upper front support bar (5), the top of the upright side frames (1) and (2), and the lower rear support bar of the CMS® post (3), and PLACE the larger glass pads (12) onto the upper rear support bar attached to the CMS® post (3) as shown in Fig. 1.
- H. INSERT the two rubber suction cups (8) into the holes located on the upper rear support bar of the CMS® post (3) as shown in Fig. 1.
- I. MOVE the assembled stand into the position it will occupy in the room PRIOR to adding the glass shelves, TV, or other equipment.
- J. CAREFULLY PLACE the bottom (middle sized) shelf (9) into position with the glass shelf locking pin holes facing the rear of the shelf and inserted through the bottom slots of the CMS® post (3). LOCK the glass shelf in place, from the inside of the CMS® post, using the supplied plastic shelf locking pins (13) as shown in Fig. 3.
- K. CAREFULLY PLACE the center (smallest sized) shelf (10) into position with the glass shelf locking pin holes facing the rear of the shelf and inserted through the middle slots of the CMS® post (3). LOCK the glass shelf in place, from the inside of the CMS® post, using the supplied plastic shelf locking pins (13) as shown in Fig. 3.
- L. CAREFULLY PLACE the top (largest sized) shelf (12) into position so that it is evenly centered, and resting on the top front of the side frames, rear support bar and top of the CMS® post (3). PRESS DOWN GENTLY to secure the top glass shelf to the furniture.

**NOTE: THE SUCTION CUPS WILL HELP PREVENT THE TOP GLASS FROM BEING MOVED. TO REMOVE THE TOP GLASS, GENTLY PULL THE SIDE OF THE SUCTION CUPS DOWNWARD TO RELIEVE THE SUCTION.**

**IMPORTANT: REMOVE ALL GLASS, TV AND OTHER EQUIPMENT FROM THE STAND PRIOR TO MOVING THE ASSEMBLED UNIT. DO NOT ATTEMPT TO MOVE THE ASSEMBLED STAND AFTER THE GLASS SHELVES HAVE BEEN INSTALLED, AND/OR WHEN THERE IS EQUIPMENT LOCATED ON THE STAND AS THIS MAY CAUSE THE SHELVES TO BECOME UNSECURE AND FALL. MAKE SURE THAT THE FRONT OF THE TV IS POSITIONED A FEW INCHES BACK FROM THE FRONT OF THE TOP GLASS. WHEN IN USE, THIS FURNITURE MUST BE PLACED ON A FLAT AND LEVEL SURFACE.**

**ALWAYS PLACE THE HEAVIEST EQUIPMENT ON THE BOTTOM SHELF.**

PATENT PENDING