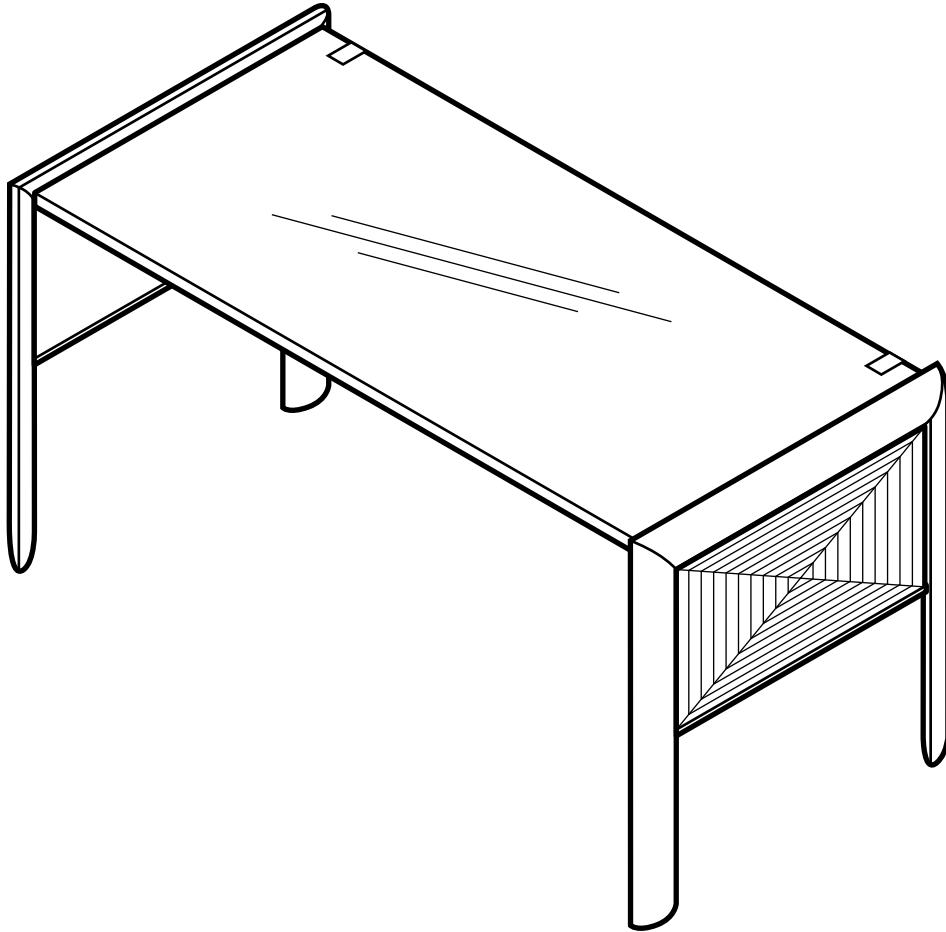


THANK YOU FOR PURCHASING OUR STUDIO RTA

# OFFICE TECH DESK

48" AND 60"



48" MODEL #60678 • 60" MODEL #60677

IF YOU REQUIRE ANY ASSISTANCE WITH ASSEMBLY, PARTS,  
OR INFORMATION ON OTHER PRODUCTS, PLEASE VISIT OUR WEBSITE:

[www.studiorta.com](http://www.studiorta.com)

OR CALL OR WRITE THE FOLLOWING:

*Studio*

READY TO ASSEMBLE®

INSPIRING CREATIVITY

8700 REX ROAD • PICO RIVERA, CA 90660

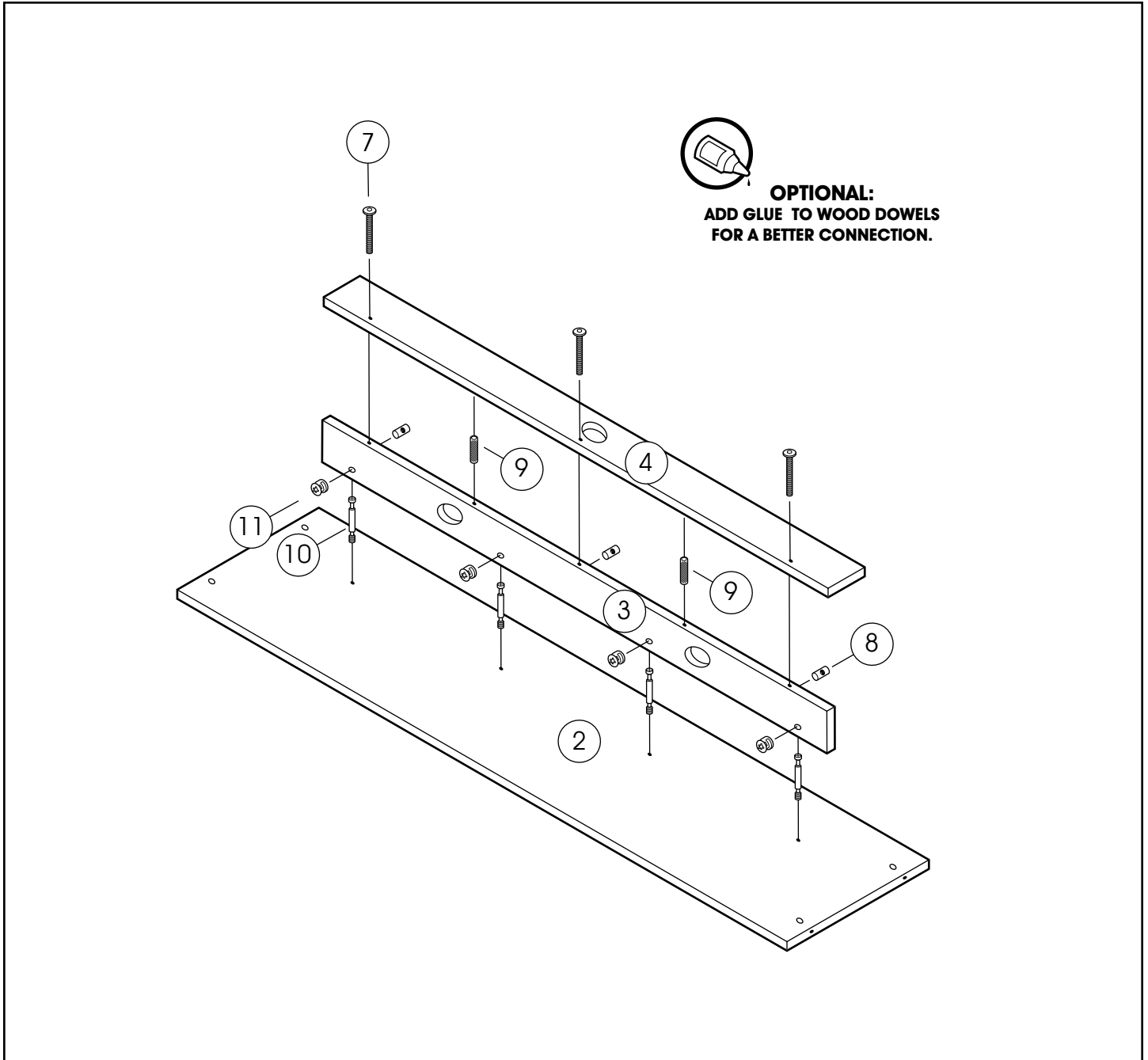
(562) 446-2255 • FAX (562) 446-2277

(800) 445-1527

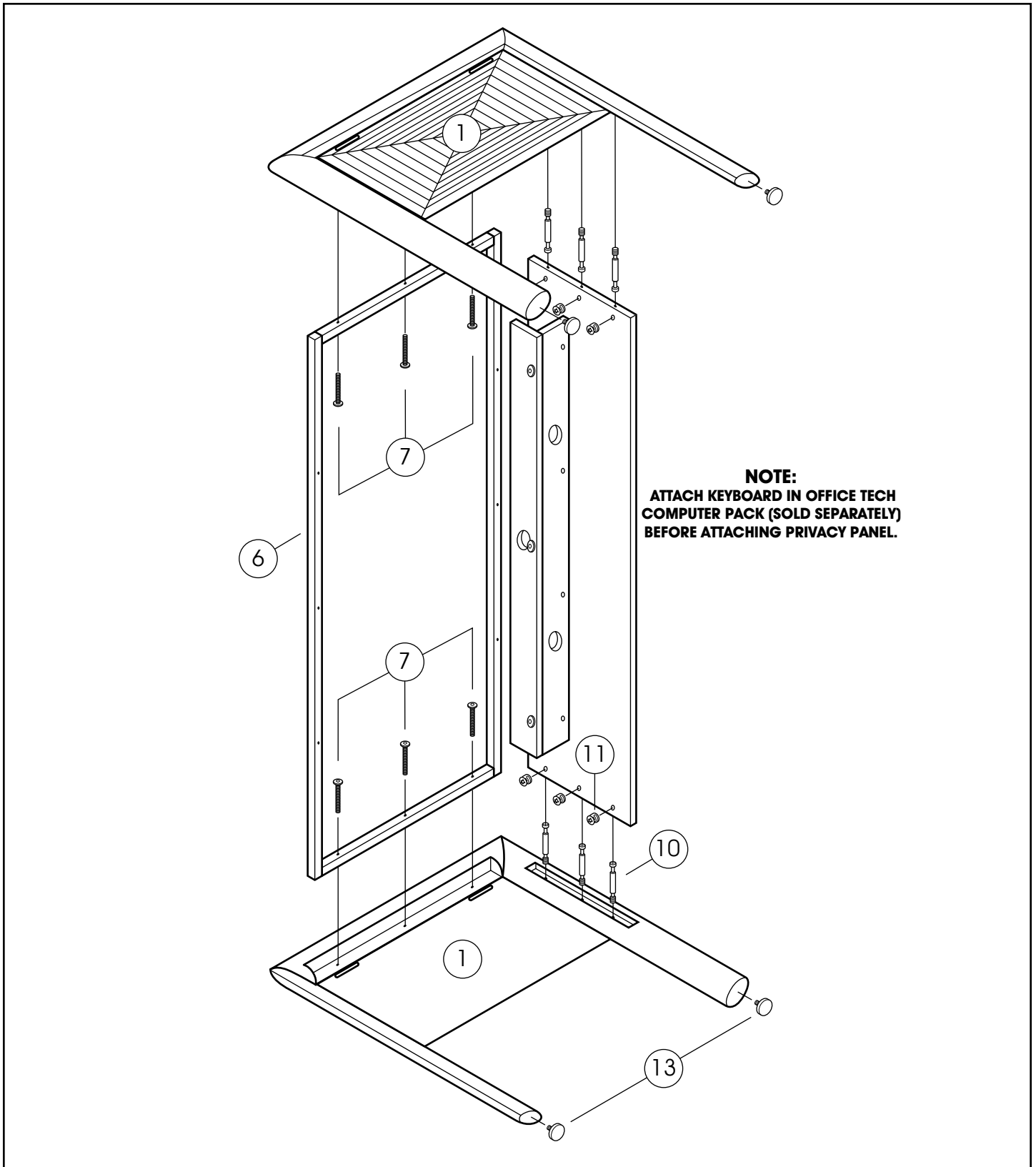
# ASSEMBLY INSTRUCTIONS

## IMPORTANT:

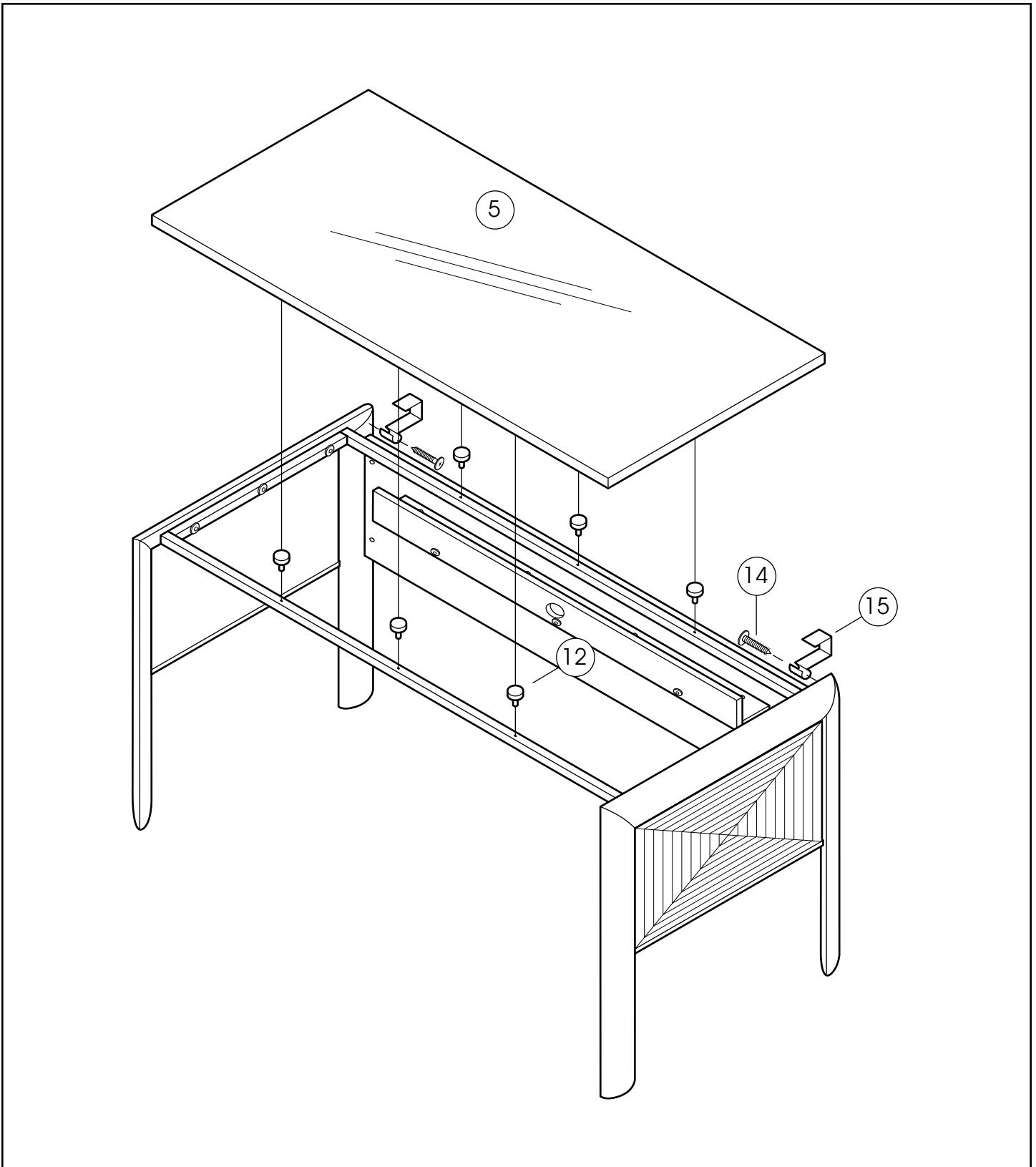
CAREFULLY UNPACK & IDENTIFY EACH COMPONENT BEFORE ATTEMPTING TO ASSEMBLE. REFER TO PARTS LIST. PLEASE TAKE CARE WHEN ASSEMBLING THE UNIT AND ALWAYS SET THE TABLE TOPS ON A CLEAN, SOFT SURFACE.



- 1.** LAY PRIVACY PANEL (2) ON CLEAN, SOFT SURFACE WITH HOLES FACING UP. SCREW CAM BOLTS (10) INTO PANEL AS SHOWN. PLACE CORD MANAGEMENT PANEL (3) ONTO CAM BOLTS AND INSERT CAM LOCKS (11) INTO HOLES WITH ARROW FACING CAM BOLT. TURN CAM LOCKS CLOCKWISE WITH A SCREWDRIVER TO LOCK IN PLACE. INSERT WOODEN DOWELS (9) INTO PANEL. PLACE CORD MANAGEMENT PANEL (4) ONTO DOWELS AND ATTACH USING ALLEN BOLTS (7) AND BOLT CONNECTORS (8).



**2.** LAY LEG (1) ON ITS SIDE AND ATTACH METAL FRAME (6) USING ALLEN BOLTS (7). ATTACH PRIVACY PANEL TO LEG USING CAM BOLTS (10) AND CAM LOCKS (11) AS SHOWN. SCREW CAM BOLTS INTO SECOND LEG (1) AND PLACE LEG ONTO PRIVACY PANEL AND METAL FRAME AS SHOWN. ATTACH USING ALLEN BOLTS (7) AND CAM LOCKS (11). SCREW IN FLOOR LEVELERS (13) INTO BOTTOM OF LEGS.



**3.** STAND UNIT UPRIGHT AND INSERT GLASS SPACERS (12) INTO HOLES IN METAL FRAME. ATTACH GLASS CLIPS (15) TO HOLES IN LEGS USING SCREWS (14). CAREFULLY PLACE GLASS TOP (5) ONTO SPACERS AND SLIDE INTO GLASS CLIPS TO SECURE IN PLACE.

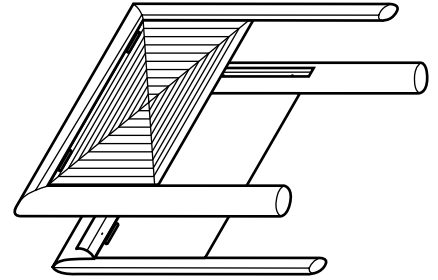
# PARTS LIST

DESCRIPTION

QUANTITY

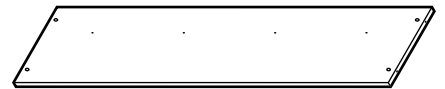
1. LEG - 1 RIGHT AND 1 LEFT

2



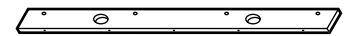
2. PRIVACY PANEL

1



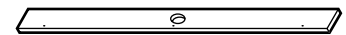
3. CORD MANAGEMENT PANEL (HORIZONTAL)

1



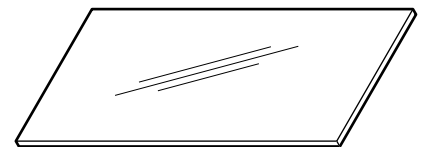
4. CORD MANAGEMENT PANEL (VERTICAL)

1



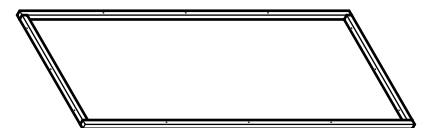
5. GLASS TOP

1

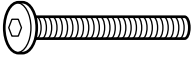


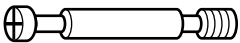

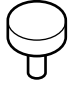
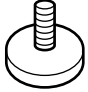

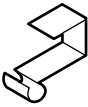
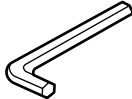



6. METAL FRAME

1



## PARTS LIST

DESCRIPTION	QUANTITY	
7. ALLEN BOLT - 1/4" X 32MM	9	
8. BOLT CONNECTOR	3	
9. WOODEN DOWEL	2	
10. CAM BOLT	10	
11. CAM LOCK	10	
12. GLASS SPACER	6	
13. FLOOR LEVELER	4	
14. SCREW FOR GLASS CLIP	2	
15. GLASS CLIP	2	
16. ALLEN WRENCH	1	
17. GLUE	1	

### LIMITED WARRANTY

Studio RTA warrants to the Original Purchaser that this product will be free from defects in its material and workmanship as described below. The company will repair or replace, at its option, without charge to the original purchaser only, defective products or parts during the following warranty periods. Ten (10) years or (Thirty (30) days on closeouts and discounted products) while owned by the Original Purchaser... Replacement parts can only be supplied if parts are available. Items out of production may be unavailable. This warranty shall be effective for the applicable time period beginning from date of purchase as shown on your original sales receipt. This warranty is your sole remedy for product defects and excludes defects due to or arising in connection with product abuse or misuse, use modification of, or attachments to the product, and products or parts not used, maintained, or installed in accordance with the company's installation, maintenance and/or applicable guidelines. There are no other warranties, express or implied other than those specifically described, including without limitation any implied warranty of merchantability or of fitness for a particular purpose. The company will not be responsible for incidental or consequential damages. Some states do not allow the exclusion or limitation of incidental or consequential damages, so the above limitations or exclusions may not apply to you. This warranty gives you specific legal rights and you may also have other rights which may vary from state to state. The company will advise you of the procedure to follow in making warranty claims. Telephone Studio RTA at 1-800-445-1527 to explain the defect and give your name, address, and telephone number. Please be prepared with the model number of the product, date and place of purchase.